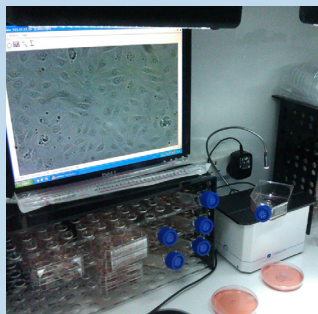


# SCI-tive Compatible Microscope Options



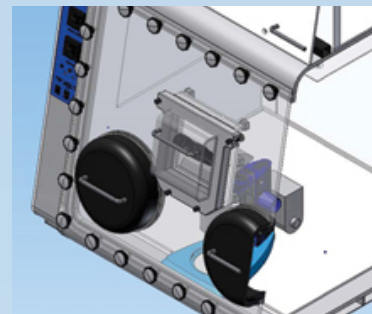
Etaluma Lumascope



JuLi Smart  
Fluorescence  
Cell Analyser



Leica DMB 6000I



Leica M80



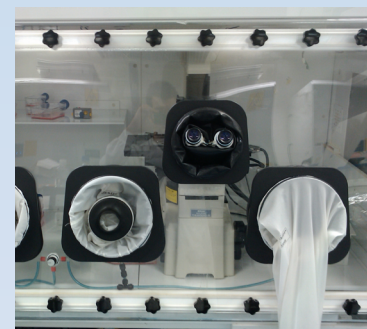
Leica M205



Nikon AZ 100



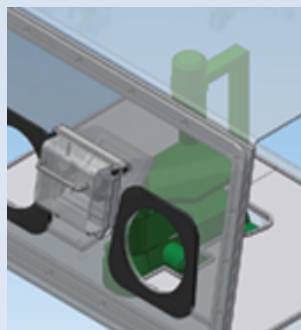
Nikon SMZ18



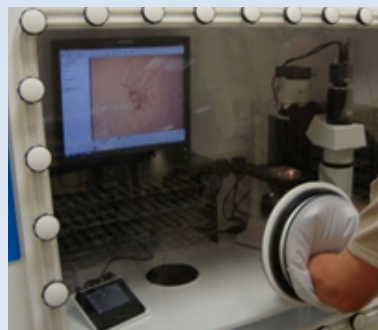
Nikon Te 2000



Nikon Ti Eclipse



Nikon TS 100F



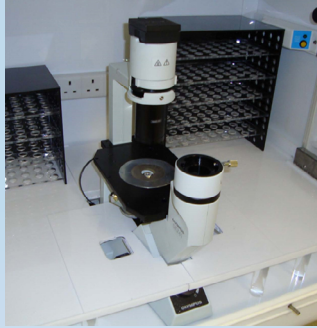
Olympus CKX41  
Internal & External  
Available



Olympus IX51/70/71

Find your Baker Ruskin representative at [bakerco.com/local](http://bakerco.com/local)  
Contact Baker Ruskin by phone:  
(800) 992-2537 (inside the U.S.) or +1 (207) 324-8773

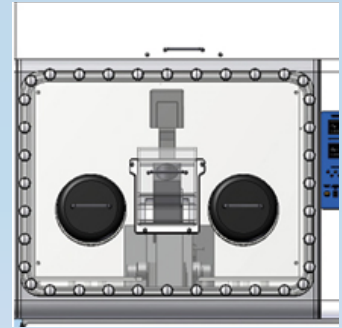
## SCI-tive Compatible Microscope Options



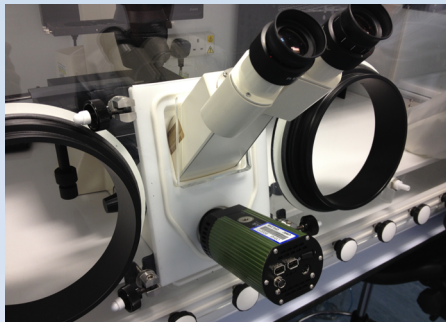
Olympus SZX 12/14



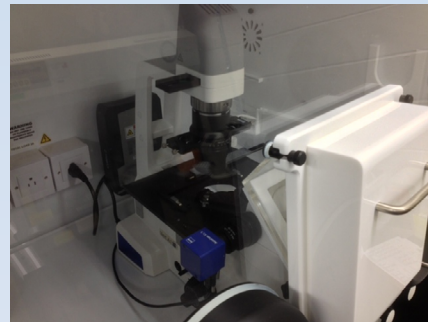
Zeiss AxioObserver  
A1 and D1



Zeiss Axiovert A1  
Fluorescence Module  
& Digital Camera



Zeiss Axiovert 25/40



Zeiss Axiovert A1FLED