



CATALOGUE PRODUCTS

DEMIWA

EQUIPMENT, WHICH ENSURES REQUIRED WATER QUALITY



ver. 004-22/01/2007 EN

DEMIWA

EQUIPMENT, WHICH ENSURES
REQUIRED WATER QUALITY

DEMIWA

Utilizace equipment:

DEMIWA * *ro* - system - Reverse osmosis
- utilize - Water for accumulators

DEMIWA * *roi* - system - RO + Mixed bed
- utilize - Food industry
- Laboratories

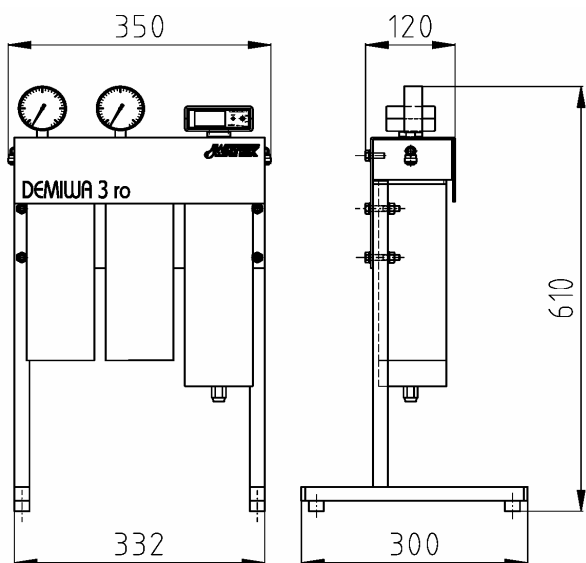
DEMIWA * *ras* - system - RO + Mixed bed + cleaning
- utilize - National Health Service
- Chemist's
- Pharmacy industry

DEMIWA * *rosa* - system - RO + Mixed bed + sanitace + aut. working
- utilize - National Health Service
- Chemist's
- Pharmacy industry

Prioryty of equipment

- Possibility of continuous operation
- Minimal water consumption (approx. 3-4 l for 1 l treated water)
- Very low consumption of electricity
- Continuous check of water quality
- Uncomplicated service and maintenance
- Favourable price
- Modification of equipment in accordance with customer's wish

DEMIWA 3 ro

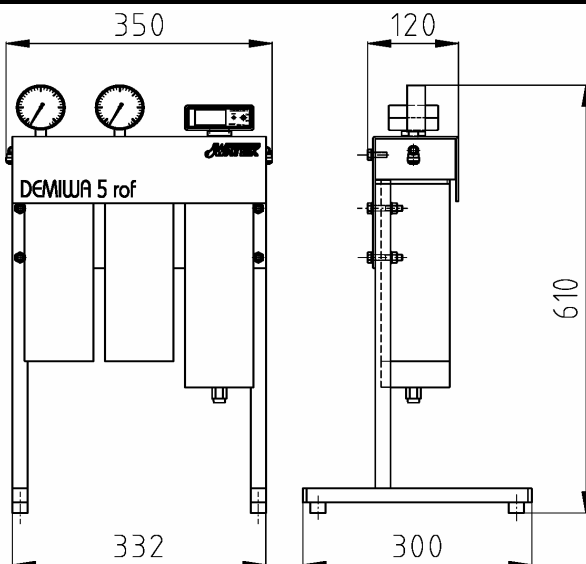


Serial number: D01190000

Design:

Mechanical filtration VFV 002	1 pc.
Aktivated carbon - CF2	1 pc.
RO module TW30-1812-24	1 pc.
Pressure gauge 0 - 1 MPa	2 pc.
Conductivity meter	1 pc.
Frame	
Accessories	
Basic Version is Stand Version	
Output LPH 3 l/h	
Pressure 0,3 - 1 MPa	
Remove of Salt 95 - 98%	

DEMIWA 5 ro

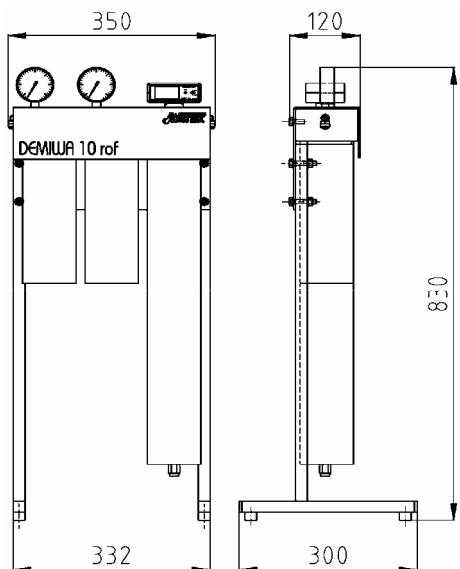


Serial number: D01200000

Design:

Mechanical filtration VFV 002	1 pc.
Aktivated carbon - CF2	1 pc.
RO module TW30-1812-50	1 pc.
Pressure gauge 0 - 1 MPa	2 pc.
Conductivity meter	1 pc.
Frame	
Accessories	
Basic Version is Stand Version	
Output LPH 5 l/h	
Pressure 0,3 - 1 MPa	
Remove of Salt 95 - 98%	

DEMIWA 10 ro

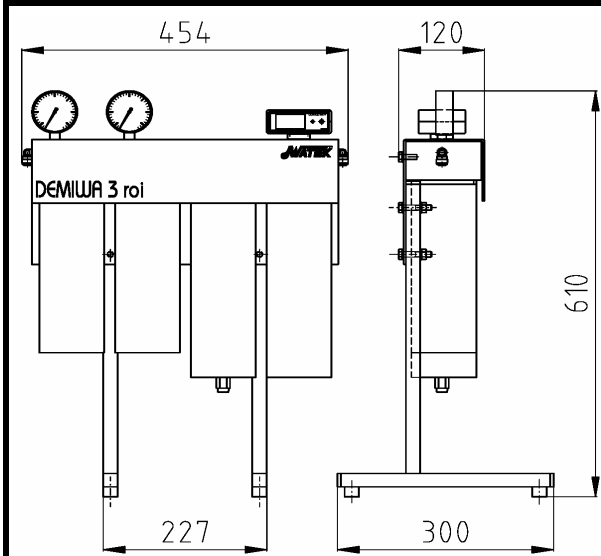


Serial number: D01210000

Design:

Mechanical filtration VFV 002	1 pc.
Aktivated carbon - CF2	1 pc.
RO moduel TR70-2521-HF	1 pc.
Pressure gauge 0 - 1 MPa	2 pc.
Conductivity meter	1 pc.
Frame	
Accessories	
Basic Version is Stand Version	
Output LPH 10 l/h	
Pressure 0,3 - 1 MPa	
Remove of Salt 95 - 98%	

DEMIWA 3 *roi*

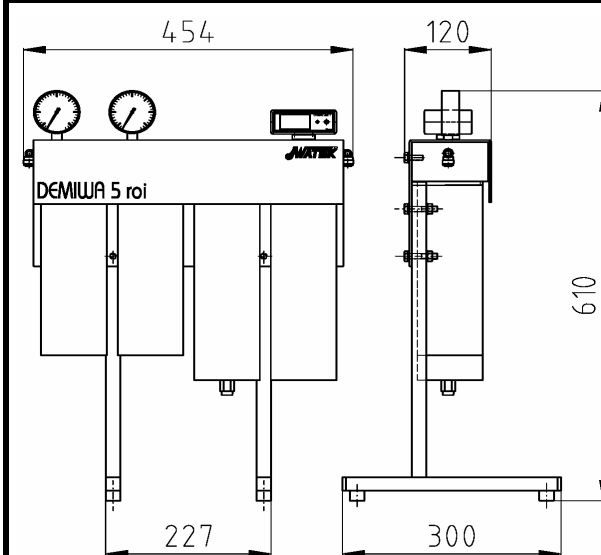


Serial number: D01040000

Design:

Mechanical filtration VFV 002	1 pc.
Aktivated carbon - CF2	1 pc.
RO module TW30-1812-24	1 pc.
Pressure gauge 0 - 1 MPa	2 pc.
Conductivity meter	1 pc.
MIX BED	1 l
Frame	
<i>Accessories</i>	
Basic Version is Stand Version	
<i>Output LPH 3 l/h</i>	
<i>Pressure 0,3 - 1 MPa</i>	
<i>Product <1 μS/cm</i>	

DEMIWA 5 *roi*

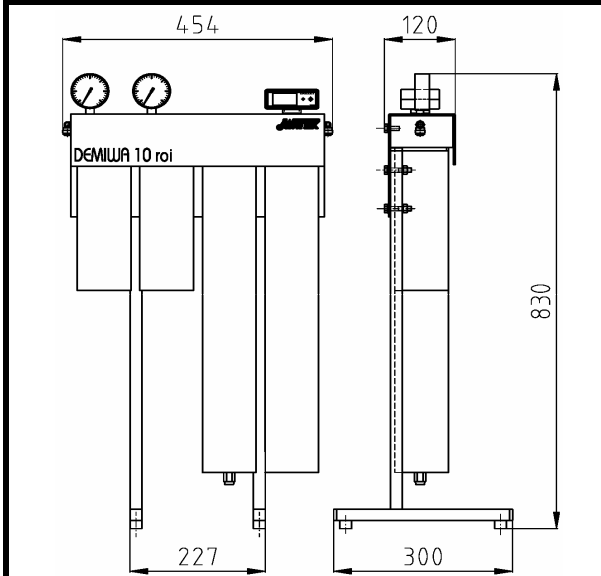


Serial number: D01050000

Design:

Mechanical filtration VFV 002	1 pc.
Aktivated carbon - CF2	1 pc.
RO module TW30-1812-50	1 pc.
Pressure gauge 0 - 1 MPa	2 pc.
Conductivity meter	1 pc.
MIX BED	1 l
Frame	
<i>Accessories</i>	
Basic Version is Stand Version	
<i>Output LPH 5 l/h</i>	
<i>Pressure 0,3 - 1 MPa</i>	
<i>PRODUCT <1 μS/cm</i>	

DEMIWA 10 *roi*

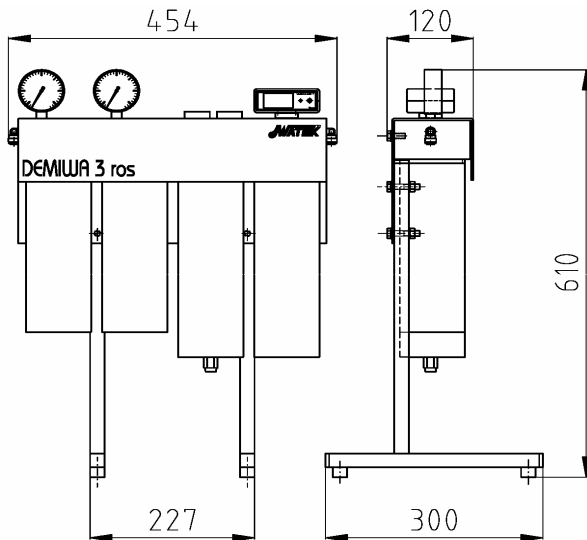


Serial number: D01060000

Design:

Mechanical filtration VFV 002	1 pc.
Aktivated carbon - CF2	1 pc.
RO moduel TR70-2521-HF	1 pc.
Pressure gauge 0 - 1 MPa	2 pc.
Conductivity meter	1 pc.
MIX BED	2 l
Frame	
<i>Accessories</i>	
Basic Version is Stand Version	
<i>Output LPH 10 l/h</i>	
<i>Pressure 0,3 - 1 MPa</i>	
<i>PRODUCT <1 μS/cm</i>	

DEMIWA 3 ros



Serial number: D01100000

Design:

Mechanical filtration VFV 002	1 pc.
Aktivated carbon - CF2	1 pc.
RO module TW30-1812-24	1 pc.
Pressure gauge 0 - 1 MPa	2 pc.
Conductivity meter	1 pc.
MIX BED	1 l

Frame

Accessories

Basic Version is Stand Version

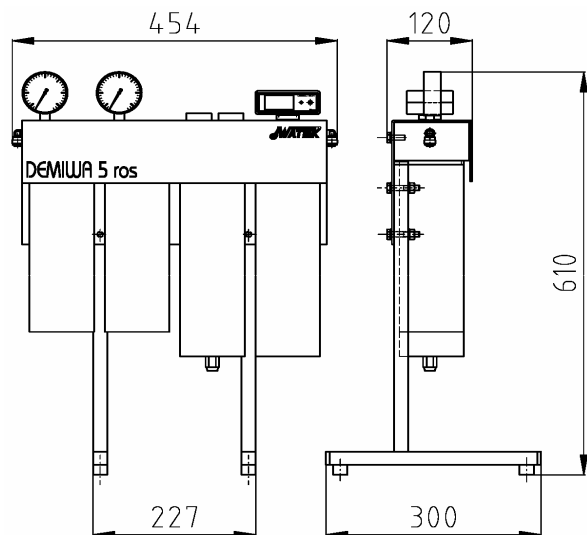
Output LPH 3 l/h

CC Tablets

Pressure 0,3 - 1 MPa

Product <1 μS/cm

DEMIWA 5 ros



Serial number: D01110000

Design:

Mechanical filtration VFV 002	1 pc.
Aktivated carbon - CF2	1 pc.
RO module TW30-1812-50	1 pc.
Pressure gauge 0 - 1 MPa	2 pc.
Conductivity meter	1 pc.
MIX BED	1 l

Frame

Accessories

Basic Version is Stand Version

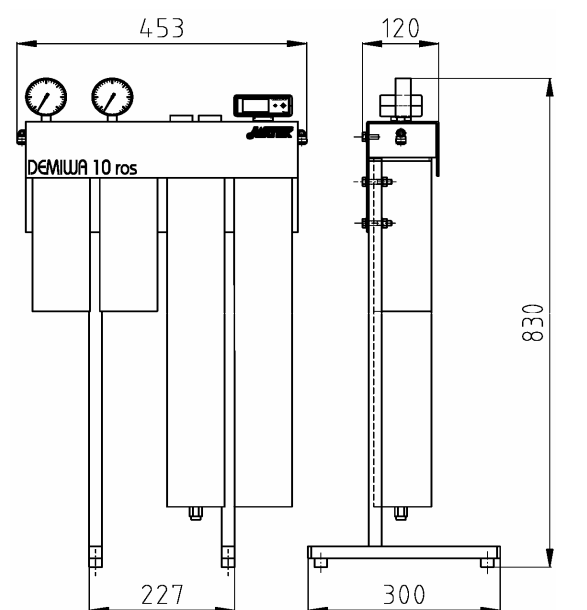
Output LPH 5 l/h

CC Tablets

Pressure 0,3 - 1 MPa

Product <1 μS/cm

DEMIWA 10 ros



Serial number: D01120000

Design:

Mechanical filtration VFV 002	1 pc.
Aktivated carbon - CF2	1 pc.
RO modul TR70-2521-HF	1 pc.
Pressure gauge 0 - 1 MPa	2 pc.
Conductivity meter	1 pc.
MIX BED	2 l

Frame

Accessories

Basic Version is Stand Version

Output LPH 10 l/h

CC Tablets

Pressure 0,3 - 1 MPa

Product <1 μS/cm

DEMIWA 3 *rosa*

Serial number: D01160000

Design:

Mechanical filtration VFV 002	1 pc.
Aktivated carbon - CF2	1 pc.
RO module TW30-1812-24	1 pc.
Pressure gauge 0 - 1 MPa	2 pc.
Sensor SV7	1 pc.
Microbiological filter (SARTOBRAN 300)	1 pc.
MIX BED	1 l

Accessories

Electrical System

Solenoid valve 1/4", 24V	1 pc.
--------------------------	-------

Automatic breakdown of Equipments near overfullfilment of level and conductivity.

Pressure 0,3 - 1 MPa

Product <1 μS/cm

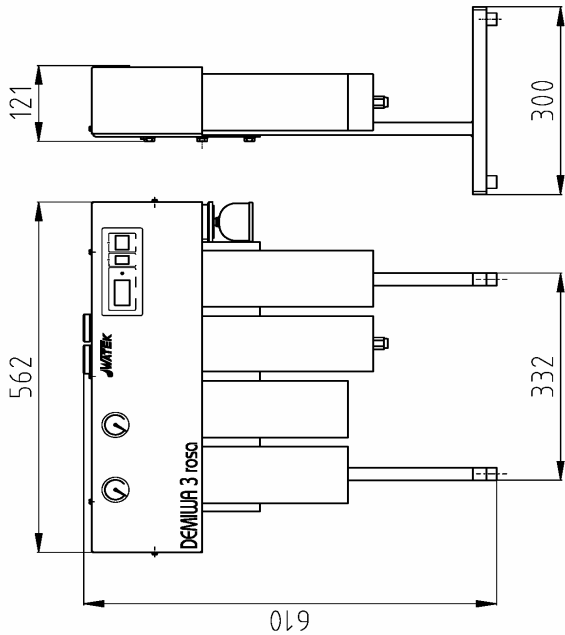
Power supply 220V, 50 Hz / 30W

Frame

Basic Version is Stand Version

Output LPH 3 l/h

CC Tablets



DEMIWA 5 *rosa*

Serial number: D01170000

Design:

Mechanical filtration VFV 002	1 pc.
Aktivated carbon - CF2	1 pc.
RO module TW30-1812-50	1 pc.
Pressure gauge 0 - 1 MPa	2 pc.
Sensor SV7	1 pc.
Microbiological filter (SARTOBRAN 300)	1 pc.
MIX BED	1 l

Accessories

Electrical System

Solenoid valve 1/4", 24V	1 pc.
--------------------------	-------

Automatic breakdown of Equipments near overfullfilment of level and conductivity.

Pressure 0,3 - 1 MPa

Product <1 μS/cm

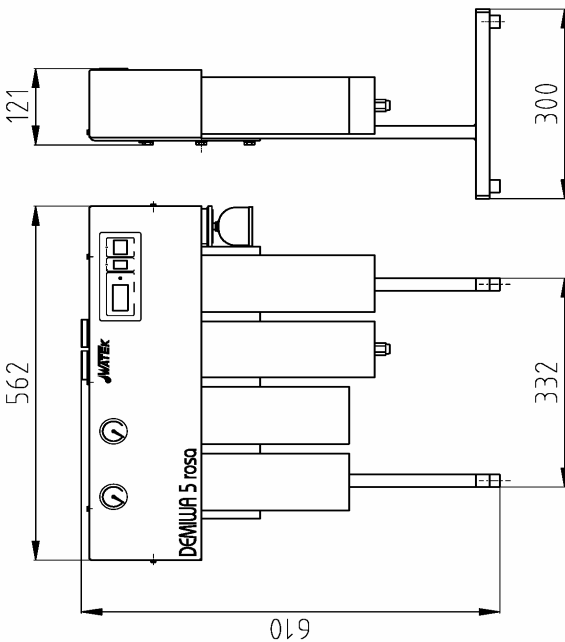
Power supply 220V, 50 Hz / 30W

Frame

Basic Version is Stand Version

Output LPH 5 l/h

CC Tablets



DEMIWA 10 *rosa*

Serial number: **D01180000**

Design:

Mechanical filtration VFV 002	1 pc.
Aktivated carbon - CF2	1 pc.
RO module TW30-1812-50	1 pc.
Pressure gauge 0 - 1 MPa	2 pc.
Sensor SV7	1 pc.
Microbiological filter (SARTOBRAN 300)	1 pc.
MIX BED	2 l

Accessories

Electrical System	
Solenoid valve 1/4", 24V	1 pc.

Automatic breakdown of Equipments near overfullfilment of level and conductivity.

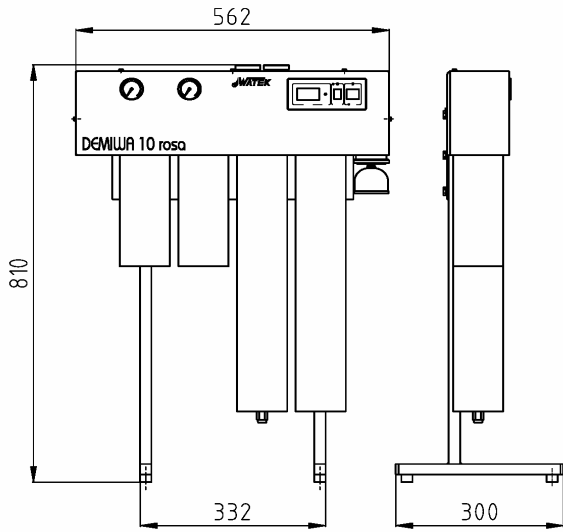
Pressure 0,3 - 1 MPa
 Product <math>< 1 \mu S/cm</math>
 Power supply 220V, 50 Hz / 30W

Frame

Basic Version is Stand Version

Output LPH 10 l/h

CC Tablets



DEMIWA 20 *ro*

Serial number: **D01240000**

Design:

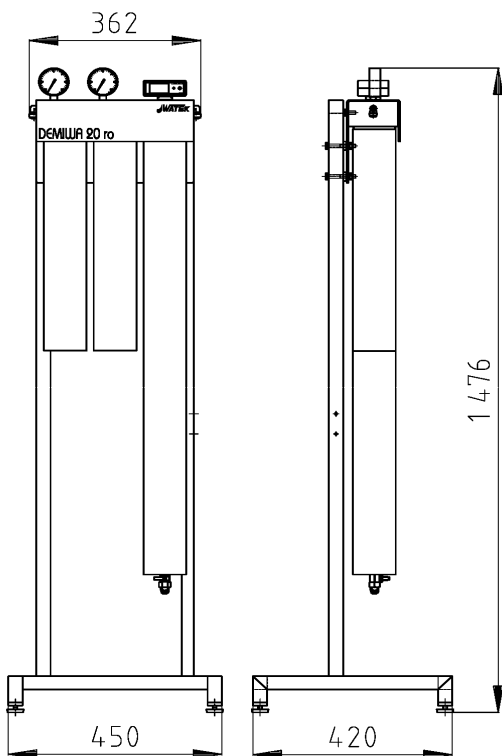
Mechanical filtration VFV 002	2 pc.
Aktivated carbon - CF2	2 pc.
RO moduel ESPA1 2540	1 pc.
Pressure gauge 0 - 1 MPa	2 pc.
Conductivity meter	1 pc.
Frame	1 pc.

Accessories

Basic Version is Stand Version

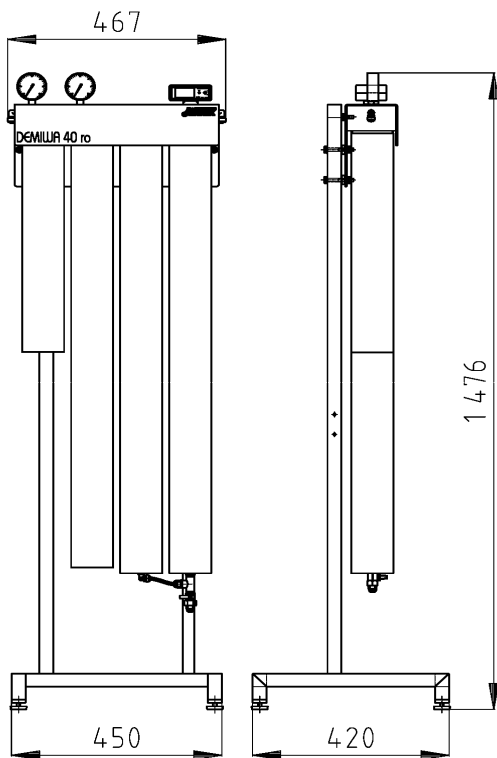
Output LPH 15-20 l/h according to pressure

Pressure 0,3 - 1 MPa
 Remove of Salt 95 - 98%



DEMIWA 40 *ro*

Serial number: D01250000



Design:

Mechanical filtration VFV 002	2 pc.
Aktivated carbon - CF2	4 pc.
RO moduel ESPA1 2540	2 pc.
Pressure gauge 0 - 1 MPa	2 pc.
Conductivity meter	1 pc.
Frame	1 pc.

Accessories

Basic Version is Stand Version

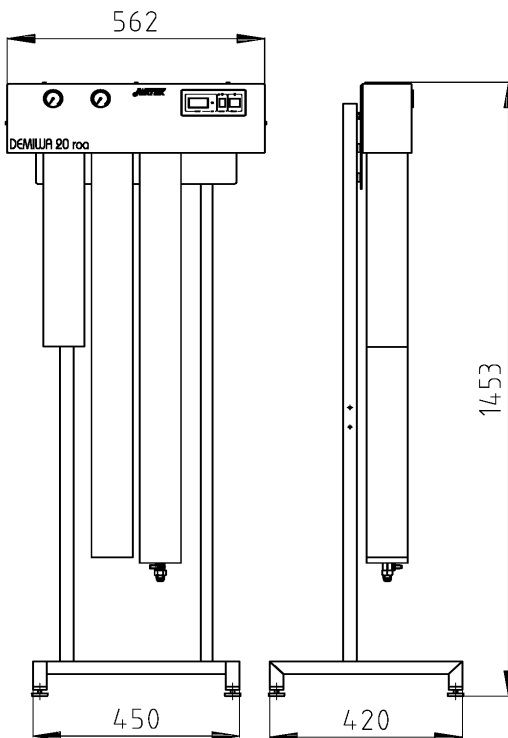
Output LPH 30-40 I/h according to pressure

Pressure 0,3 - 1 MPa

Remove of Salt 95 - 98%

DEMIWA 20 *roa*

Serial number: D01220000



Design:

Mechanical filtration VFV 002	2 pc.
Aktivated carbon - CF2	4 pc.
RO moduel ESPA1 2540	1 pc.
Pressure gauge 0 - 1 MPa	2 pc.
Sensor SV7	1 pc.

Accessories

Electrical System

Solenoid valve 2VE6DF	1 pc.
-----------------------	-------

Automatic breakdown of Equipments near overfullfilment of level and conductivity.

Pressure 0,3 - 1 MPa

Remove of Salt 95 - 98%

Power supply 220V, 50 Hz / 30W

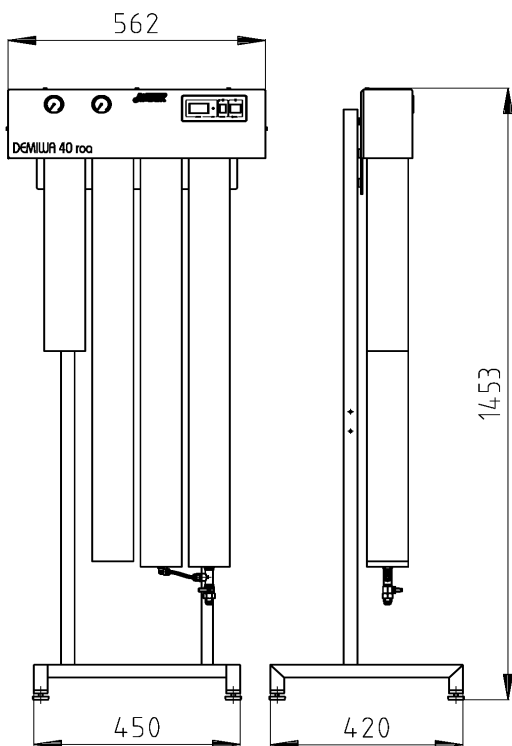
Frame

Basic Version is Stand Version

Output LPH 15-20 I/h according to pressure

DEMIWA 40 *roa*

Serial number: D01230000



Design:

Mechanical filtration VFV 002	2 pc.
Aktivated carbon - CF2	4 pc.
RO modul ESPA1 2540	2 pc.
Pressure gauge 0 - 1 MPa	2 pc.
Sensor SV7	1 pc.
Accessories	

Electrical System

Solenoid valve 2VE6DF	1 pc.
-----------------------	-------

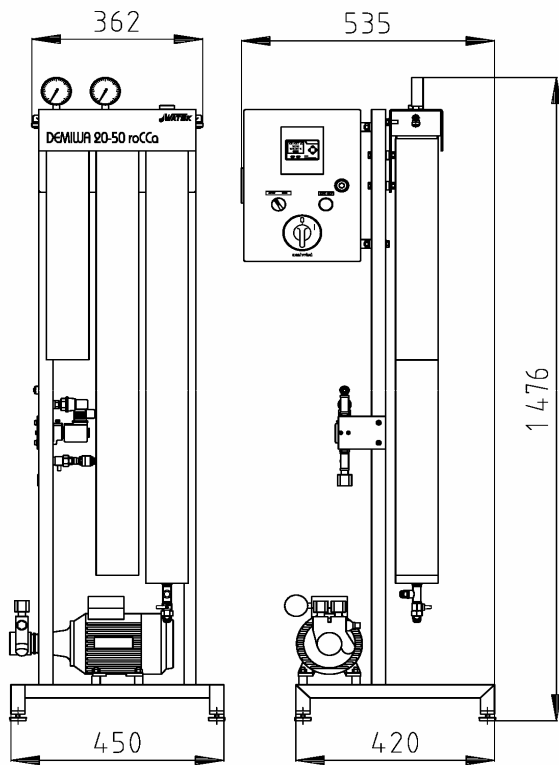
Automatic breakdown of Equipments near overfullfilment of level and conductivity.

*Pressure 0,3 - 1 MPa
Remove of Salt 95 - 98%
Power supply 220V, 50 Hz / 30W*

Frame
Basic Version is Stand Version
Output LPH 30-40 l/h according to pressure

DEMIWA 20-50 *ro* CCM

Serial number: **D08020000**



Design:

Mechanical filtration VFV 002	2 pc.
Aktivated carbon - CF2	4 pc.
RO moduel ESPA1 2540	1 pc.
Pressure gauge 0 - 1 MPa	2 pc.
Conductivity meter	1 pc.
Pump PO 404X	1 pc.
Accessories	
Electrical System	1 pc.
Control systém MILENIUM	
Solenoid valve 2VE10DA	1 pc.
Pressure switch	1 pc.
Motor 1LF7073-4AB17-ZA31,230V	1 pc.

Automatic breakdown of Equipments near overfullfilment of level and conductivity, Switch of equipments for maximum of LEVEL and maximum of pressure IN

Pressure 0,5 - 0,8 MPa

Remove of Salt 95 - 98%

Power supply 220V, 50 Hz / 30W

Frame

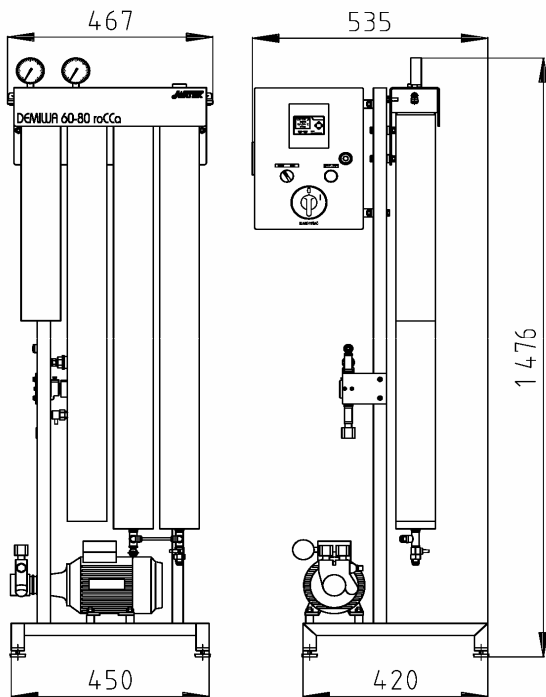
1 pc.

Basic Version is Stand Version

Output LPH 20-50 l/h acording to pressure

DEMIWA 60-80 *ro* CCM

Serial number: **D08030000**



Design:

Mechanical filtration VFV 002	2 pc.
Aktivated carbon - CF2	4 pc.
RO moduel ESPA1 2540	2 pc.
Pressure gauge 0 - 1 MPa	2 pc.
Conductivity meter	1 pc.
Pump PO 404X	1 pc.
Accessories	
Electrical System	1 pc.
Control systém MILENIUM	
Solenoid valve 2VE10DA	1 pc.
Pressure switch	1 pc.
Motor 1LF7073-4AB17-ZA31,230V	1 pc.

Automatic breakdown of Equipments near overfullfilment of level and conductivity, Switch of equipments for maximum of LEVEL and maximum of pressure IN

Pressure 0,5 - 0,8 MPa

Remove of Salt 95 - 98%

Power supply 220V, 50 Hz / 30W

Frame

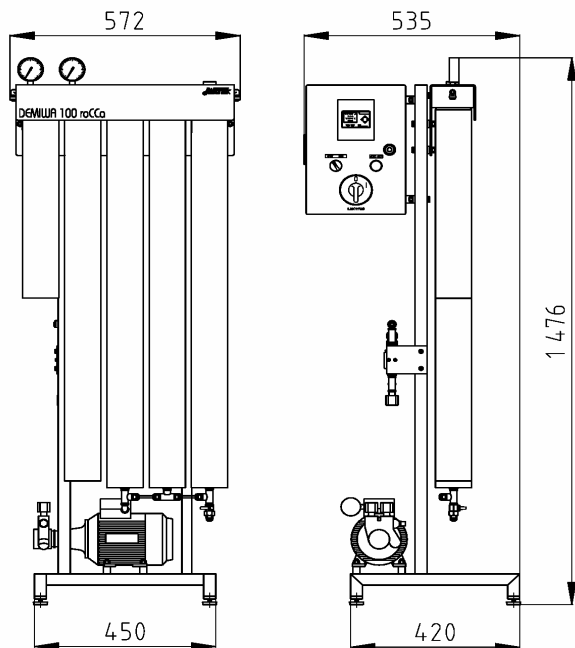
1 pc.

Basic Version is Stand Version

Output LPH 60-80 l/h acording to pressure

DEMIWA 100 ros CCM

Serial number: D08040000

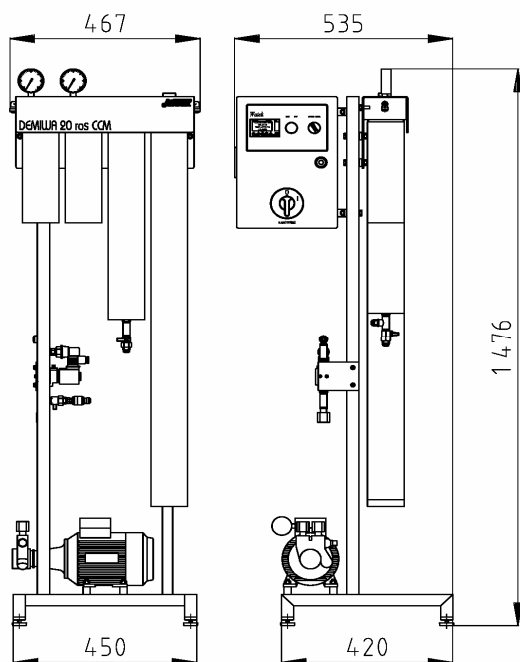


Design:

Mechanical filtration VFV 002	2 pc.
Aktivated carbon - CF2	4 pc.
RO moduel ESPA1 2540	3 pc.
Pressure gauge 0 - 1 MPa	2 pc.
Conductivity meter	1 pc.
Pump PO 404X	1 pc.
Accessories	
Electrical System	1 pc.
Control systém MILENIUM	
Solenoid valve 2VE10DA	1 pc.
Pressure switch	1 pc.
Motor 1LF7073-4AB17-ZA31,230V	1 pc.
Automatic breakdown of Equipments near overfullfilment of level and conductivity, Switch of equipments for maximum of LEVEL and maximum of pressure IN	
Pressure 0,5 - 0,8 MPa	
Remove of Salt 95 - 98%	
Power supply 220V, 50 Hz / 30W	
Frame	1 pc.
Basic Version is Stand Version	
Output LPH 100 l/h acording to pressure	

DEMIWA 20 ros CCM

Serial number: D08010000



Design:

Mechanical filtration VFV 002	1 pc.
Aktivated carbon - CF2	1 pc.
RO moduel ESPA1 2540	1 pc.
Pressure gauge 0 - 1 MPa	2 pc.
Sensor SV7	1 pc.
MIX BED	4 l
Pump PO 404X	1 pc.
Accessories	
Electrical System	
Control systém MILENIUM	
Solenoid valve 2VE10DA	1 pc.
Pressure switch	1 pc.
Motor 1LF7073-4AB17-ZA31,230V	1 pc.
Automatic breakdown of Equipments near overfullfilment of level and conductivity, Switch of equipments for maximum of LEVEL and maximum of pressure IN	
Pressure 0,5 - 0,8 MPa	
PRODUCT <math>< 1 \mu S/cm</math>	
Power supply 220V, 50 Hz / 30W	
Frame	1 pc.
Basic Version is Stand Version	
Output LPH 20 l/h acording to pressure	
CC Tablets	

Accessories

Equipment č.v.	Pressure switch	coarse cleaner	Spa nner	Spann er nr. 1	VFV 002	"O" ring					lonex modul			Hose connection		Tube			CC tablets
						79,5x5,8	22x2	18x2	28x2	8x2	10"	20"	40"	6/4	10/6	PE 6/4	PE 10/6	PVC 6/4	
DEMIWA 3 ro D01190000	-	-	1pc.	-	1pc.	3 pc.	6 pc.	-	-	-	-	-	-	1pc.	-	2 x 3m	-	3m	-
DEMIWA 5 ro D01200000	-	-	1pc.	-	1pc.	3 pc.	6 pc.	-	-	-	-	-	-	1pc.	-	2 x 3m	-	3m	-
DEMIWA 10 ro D01210000	-	-	1pc.	-	1pc.	3 pc.	6 pc.	-	-	-	-	-	-	1pc.	-	2 x 3m	-	3m	-
DEMIWA 3 ro-f D01010000	-	-	1pc.	-	1pc.	3 pc.	6 pc.	-	-	-	-	-	-	1pc.	-	2 x 3m	-	3m	-
DEMIWA 5 ro-f D01020000	-	-	1pc.	-	1pc.	3 pc.	6 pc.	-	-	-	-	-	-	1pc.	-	2 x 3m	-	3m	-
DEMIWA 10 ro-f D01030000	-	-	1pc.	-	1pc.	3 pc.	6 pc.	-	-	-	-	-	-	1pc.	-	2 x 3m	-	3m	-
DEMIWA 3 roi D01040000	-	-	1pc.	-	1pc.	4 pc.	6 pc.	2 pc.	-	2 pc.	1pc.	-	-	1pc.	-	2 x 3m	-	3m	-
DEMIWA 5 roi D01050000	-	-	1pc.	-	1pc.	4 pc.	6 pc.	2 pc.	-	2 pc.	1pc.	-	-	1pc.	-	2 x 3m	-	3m	-
DEMIWA 10 roi D01060000	-	-	1pc.	-	1pc.	4 pc.	6 pc.	2 pc.	-	2 pc.	-	1pc.	-	1pc.	-	2 x 3m	-	3m	-
DEMIWA 3 roi-f D01070000	-	-	1pc.	-	1pc.	4 pc.	6 pc.	2 pc.	-	2 pc.	1pc.	-	-	1pc.	-	2 x 3m	-	3m	-
DEMIWA 5 roi-f D01080000	-	-	1pc.	-	1pc.	4 pc.	6 pc.	2 pc.	-	2 pc.	1pc.	-	-	1pc.	-	2 x 3m	-	3m	-
DEMIWA 10 roi-f D01090000	-	-	1pc.	-	1pc.	4 pc.	6 pc.	2 pc.	-	2 pc.	-	1pc.	-	1pc.	-	2 x 3m	-	3m	-
DEMIWA 3 ros D01100000	-	-	1pc.	1pc.	1pc.	4 pc.	6 pc.	2 pc.	2 pc.	2 pc.	1pc.	-	-	1pc.	-	2 x 3m	-	3m	1 balení = 9 ks
DEMIWA 5 ros D01110000	-	-	1pc.	1pc.	1pc.	4 pc.	6 pc.	2 pc.	2 pc.	2 pc.	1pc.	-	-	1pc.	-	2 x 3m	-	3m	1 balení = 9 ks
DEMIWA 10 ros D01120000	-	-	1pc.	1pc.	1pc.	4 pc.	6 pc.	2 pc.	2 pc.	2 pc.	-	1pc.	-	1pc.	-	2 x 3m	-	3m	1 balení = 9 ks
DEMIWA 3 ros-f D01130000	-	-	1pc.	1pc.	1pc.	4 pc.	6 pc.	2 pc.	2 pc.	2 pc.	1pc.	-	-	1pc.	-	2 x 3m	-	3m	1 balení = 9 ks
DEMIWA 5 ros-f D01140000	-	-	1pc.	1pc.	1pc.	4 pc.	6 pc.	2 pc.	2 pc.	2 pc.	1pc.	-	-	1pc.	-	2 x 3m	-	3m	1 balení = 9 ks
DEMIWA 10 ros-f D01150000	-	-	1pc.	1pc.	1pc.	4 pc.	6 pc.	2 pc.	2 pc.	2 pc.	-	1pc.	-	1pc.	-	2 x 3m	-	3m	1 balení = 9 ks

Accessories

Equipment č.v.	Pressure switch	coars e cleane	Spa nner	Spanne r nr. 1	VfV 002	"O" ring					lonex modul			Hose connection		Tube			CC tablets
						79,5x5,8	22x2	18x2	28x2	8x2	10"	20"	40"	6/4	10/6	PE 6/4	PE 10/6	PVC 6/4	
DEMIWA 5 rosa D01160000	-	1 ks	1 ks	1 ks	1 ks	4 ks	6 ks	-	2 ks	2 ks	1 ks	-	-	-	-	2 x 3m	-	3m	1 balení = 9 ks
DEMIWA 5 rosa D01170000	-	1 ks	1 ks	1 ks	1 ks	4 ks	6 ks	-	2 ks	2 ks	1 ks	-	-	-	-	2 x 3m	-	3m	1 balení = 9 ks
DEMIWA 10 rosa D01180000	-	1 ks	1 ks	1 ks	1 ks	4 ks	6 ks	-	2 ks	2 ks	-	1 ks	-	-	-	2 x 3m	-	3m	1 balení = 9 ks
DEMIWA 15-20 ro D01240000	-	-	1 ks	-	2 ks	3 ks	17 ks	-	-	-	-	-	-	-	1 ks	3 m	3 m	3m	-
DEMIWA 30-40 ro D01250000	-	-	1 ks	-	2 ks	4 ks	28 ks	-	-	-	-	-	-	-	1 ks	3 m	3 m	3m	-
DEMIWA 15-20 roa D01220000	-	1 ks	1 ks	-	2 ks	3 ks	17 ks	-	-	-	-	-	-	-	-	3 m	3 m	3m	-
DEMIWA 30-40 roa D01230000	-	1 ks	1 ks	-	2 ks	4 ks	28 ks	-	-	-	-	-	-	-	-	3 m	3 m	3m	-
DEMIWA 20-30 ro OOM D08020000	1 ks	1 ks	1 ks	-	2 ks	4 ks	17 ks	-	-	-	-	-	-	-	-	3 m	3 m	3m	-
DEMIWA ro 60-80 OOM D08030000	1 ks	1 ks	1 ks	-	2 ks	4 ks	28 ks	-	-	-	-	-	-	-	-	3 m	3 m	3m	-
DEMIWA 100 OOb D08040000	1 ks	1 ks	1 ks	-	2 ks	5 ks	19 ks	-	-	-	-	-	-	-	-	9 m	-	-	-
DEMIWA 20 roa OOM D08010000	1 ks	1 ks	1 ks	1 ks	1 ks	4 ks	6 ks	4 ks	2 ks	2 ks	-	-	1 ks	-	-	2 x 3m	3 m	-	1 balení = 9 ks



Ledeč nad Sázavou

ZAŘÍZENÍ PRO ÚPRAVU VOD

Jiřího Wolкера 852

584 01 LEDEČ nad Sázavou

tel. **+420569/720533, +420569/720534**

fax. **+420569/721099**

info: www.watek.cz